

TRAP SYSTEMS

never without permission...





FOR COMFORT AND SAFETY OF ANYTHING YOU CARE IN YOUR LIFE



We always ask ourselves this question: How can we provide both comfort and safety at the same time? Yes, in fact, comfort and safety are two conflicting words... But we ourselves create miracles with these two words... just with some knowledge, intelligence and ability... which are our key words en route to serve humanity. With these key words, we fit comfort and safety into a frame and here emerges White Rose. We, as White Rose, questioning continuously, have rendered our products suitable for people, not the other way around.

What are their needs, how can we assist them in their daily life? First, we discussed all these questions with our professional team and then we could answer them observing the needs of our people.

Thus, under three titles, we made use of our cutting-edge technology for humans comfort and safety. With our Industrial Automation, Urban Automation and Home Automation products we obtained answers of our questions and so we became an unrivaled company in Turkey, ranking among leading companies in the World. Thanks for deciding to get familiar with advanced technology we offer.



THE COURAGE THAT HYDRAULIC
TRAP SYSTEMS GIVE; IS ALWAYS WITH YOU



WHAT ARE TRAP SYSTEMS?

Trap systems are produced for places which require top security and these are applied to where the user wants to block the entry or exit at specific areas. Trap systems have blades which puncture the vehicle tires as well as causing considerable damage under the car therefore hindering its movement. Fearless heroes of the security, Trap Systems, can have either manual or hydraulic mechanisms. Such systems are commonly preferred technologic solutions for the areas where extensive security measures are required such as military zones, car park entrances and shopping malls.

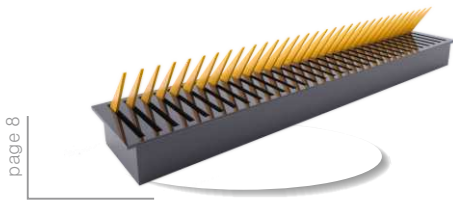


INDISPENSIBLE ELEMENT OF CONTROLLED PASSES

We are proud to present you our range of security products. Our trap systems are manufactured to have hydraulic or manual mechanisms. Hydraulic trap systems are equipped with very effective steel blades as well as being conveniently controllable through a variety of means of access. Thanks to their hydraulic mechanism, our mentioned trap systems are still functional even during electricity cut offs. Hydraulic traps' control is totally under the control of the user and the control can be through mobile phone, password panel, button, remote control or pass-card. Manuel traps which don't normally let entrance through reverse sides, can be built to allow reverse side entries in cases such as fire, upon such request from the user. We have considered all these details for you, as White Rose.



WHAT WE OFFER IS; TOP GRADE SECURITY



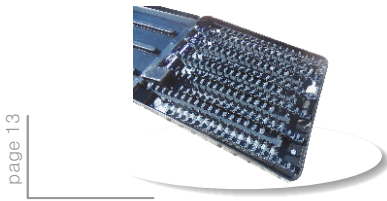
page 8

HYDRAULIC TRAP



page 12

MANUEL TRAP



page 13

POLICE TRAP



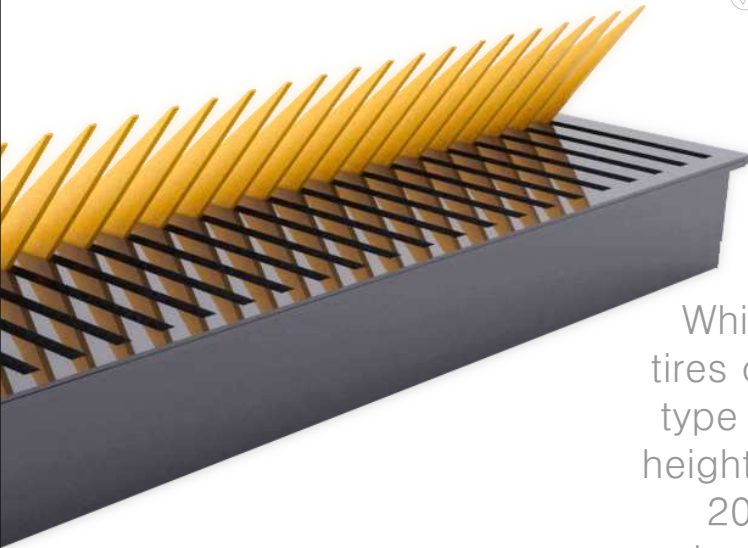
page 15

BUMP & TRAP



page 17

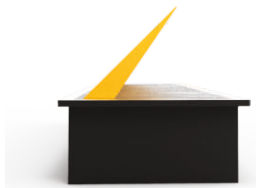
ROAD BUMP



HYDRAULIC TRAP

power of the steel

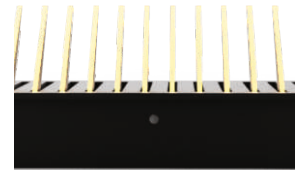
While other traps puncture the tires of the vehicle, assassination type traps with their steel blades height at 300mm and thickness at 20mm; cause considerable damage under the vehicle and stop it from entering the premises.



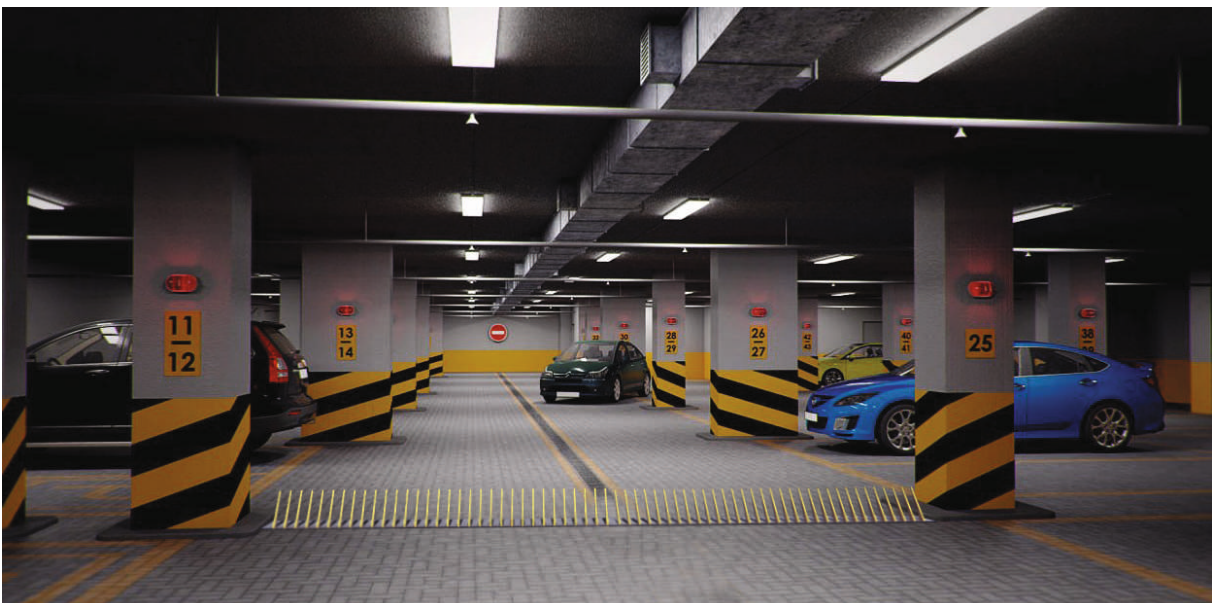
side view

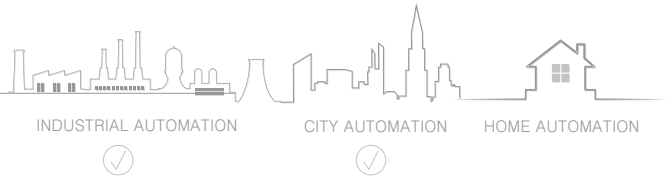


front view

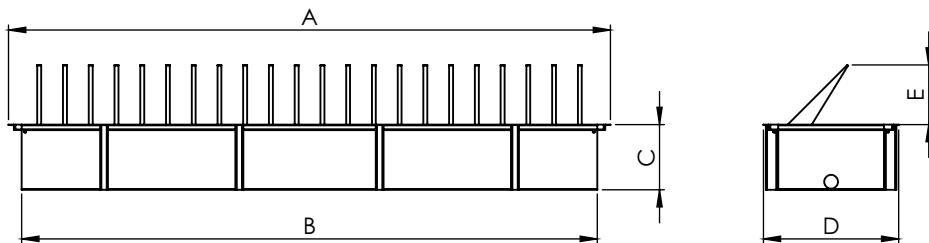


rear view





product information



Hydraulic Trap	A	B	C	D	E
2m	2070	1936			
3m	3070	2936			
4m	4070	3936	333	690	300
5m	5070	4936			
6m	6070	5936			

Type	APACHI SERIES				
Dimensions	H.30 cm openable				
Model	APC3702	APC3703	APC3704	APC3705	APC3706
Length	2 mt	3 mt	4 mt	5 mt	6 mt
Moving part	ST 37 Quality Steel Sheet 20mm thickness 1500mm blade length				
Working system	Hydraulic				
Power source	380 V 3 Phase 50/60 Hz				
Control unit	T-MAG control unit or (optional PLC)				
Current draw	1,58 A				
Motor power	0,55 KW				
Number of pistons	1		2		
Turn on-turn off duration	4-6sn				
Continuously of operation	100%				
Lifting power	500 Kg		1000 Kg		
Limit switch type	Adjustable motor operation duration				
Minimum operational pressure	20 Bar				
Maximum operational pressure	75 Bar				
Manuel opening	Through ball valve				
Manuel shut down	Optional hand pump				
Hydraulic oil type	Hydraulic oil No.32 or 46				
Hydraulic pipe	3/8 R2 330 Bars				
Operational temperature	-20°C min +70°C max				

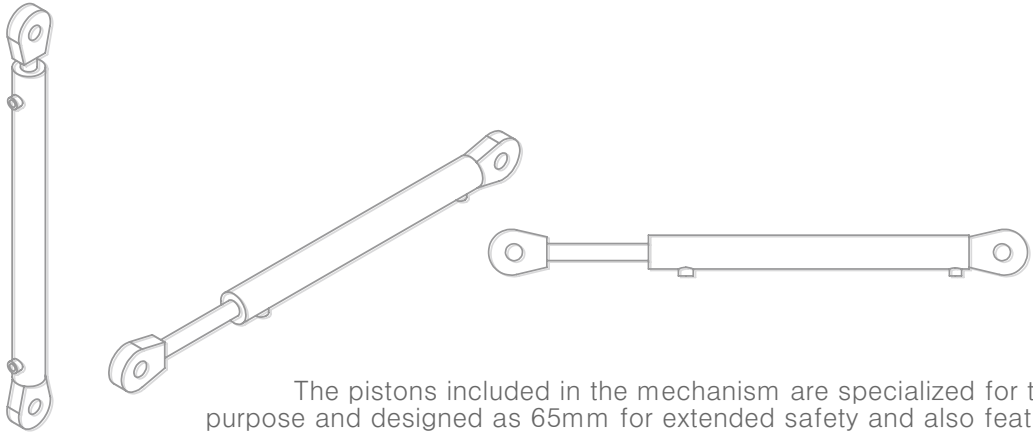


FOR YOU TO FEEL SAFER

As you get to know our variety of all trap systems products; you will find that any solution you may need, is already included. So, please visit our website.

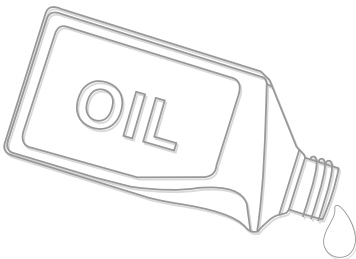
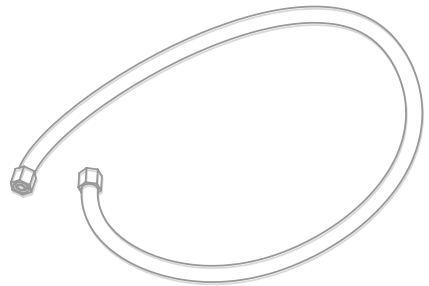
www.whiterose.com.tr

WE HAVE BROUGHT TOGETHER THE PARTS WHICH ARE IMPORTANT FOR US AND SAFE FOR YOU



The pistons included in the mechanism are specialized for this purpose and designed as 65mm for extended safety and also feature special valve system against hose breakages. Road Blocker's mentioned important part bears loads up to 2750kg.

Systems veins: 3/8 R2 330 Bar hydraulic hose is unbreakable and leak proof. It can work for long years with your road blocker, with continuous high performance.



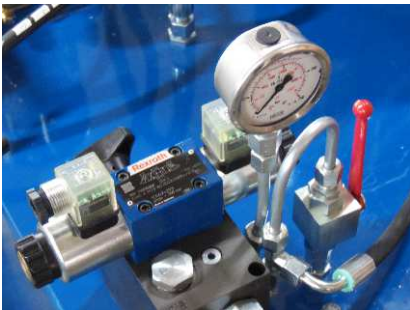
Another hero behind the power that we present for you, is the hydraulic oil no 32 or 46. Having passed the heavy duty performance tests, the hydraulic oil is in place of the system's blood.



THE HERO BEHIND THE HOOD



Mechanical performance of the security expert that we present for your convenience, makes us proud. Firmness and technology compatibility are integrated within the body of the hydraulic unit, takes its endless power from you.



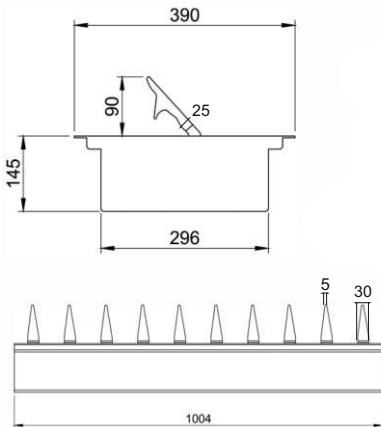


MANUEL TRAP

practical solution

Manuel traps are manufactured in regard to the end user reference and requests by White Rose Automation Systems. Manuel traps are designed in a fashion that won't let reverse side entrance to the depots, sites, service ranges etc.

product information



side view



front view



rear view



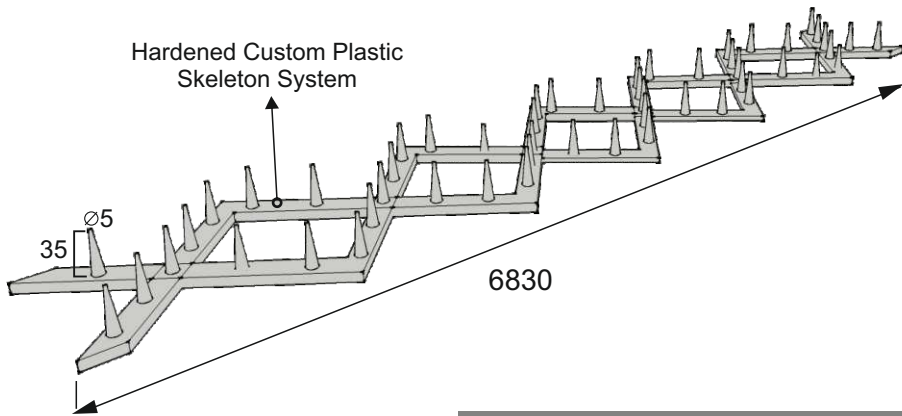
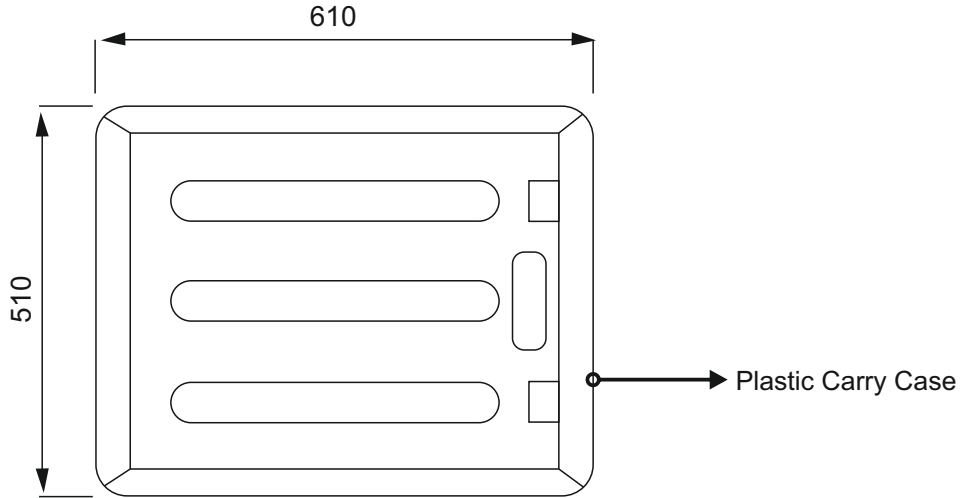
POLICE TRAP

no escape

Police traps are the systems which are portable and can be used anywhere when needed just by manually laying on the ground and resulting in absolute puncturing of the vehicle's tires, and can be re-winded to be used again later.



product information



Police Trap	
Wight without case	5.6 kg
Weight with case	8 kg
Puncture diameter	5 mm
Puncture diameter height	35 mm
Opened up length (maximum)	6830 mm
Carry case size	510x610x70 mm



FOR YOU TO FEEL SAFER

As you get to know our variety of all trap systems products; you will find that any solution you may need, is already included. So, please visit our website.

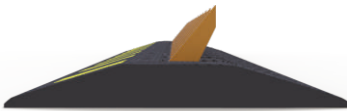
www.whiterose.com.tr



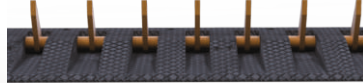
BUMP & TRAP

effective method

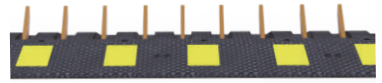
At entrances and exits, bump-trap systems help the vehicles reduce their speed and allow easy pass-control due to its convenient use. It has been made for the places where reverse side entries are not welcomed, as a special solution.



side view



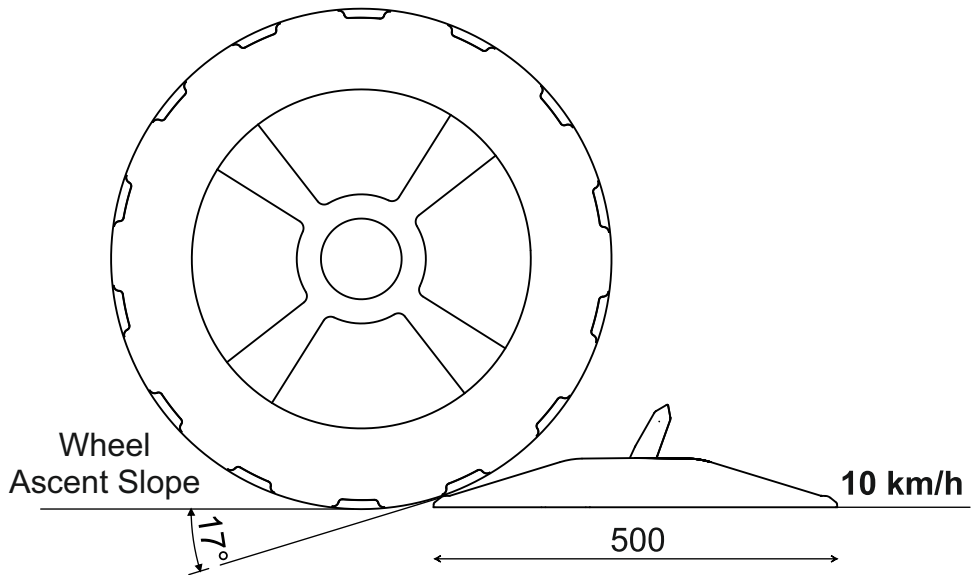
front view



rear view



product information



Type	Bump&Trap	Lid for Bump&Trap
Product code	12290 UB	12291 UB K
Size (LxWxH)	500x500x60	500x90x60
Weight (approximately)	7.3 Kg	0.700 Kg
Material	Metal chassis and ppc frame	PPC
Specifications	Reflective bank / warnings on both	-
Documentation	DIN EN ISO 9001:2008	
Practice	By attaching one another $\varnothing 18 \times 190 \times \varnothing 10$ mm it can be applied onto the ground by screws and fixing plugs	



MAKE USE OF
OUR KNOW-HOW....

As you get to know our variety of bump&trap systems products; you will find that any solution you may need, is already included. So, please visit our website.

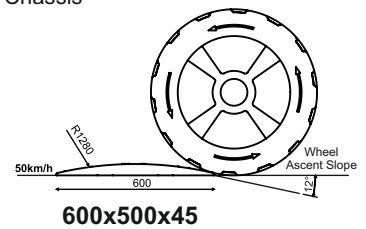
www.whiterose.com.tr

ROAD BUMP

Road bumps make the area more secure and the passengers safer as it slows down the excessive speed of the vehicles when applied onto the ground at a certain area. Thanks to their long lifetime and durability, White Rose is like a proof of the care and attention for safety and human.

product information

12109 YK K
Lid for Road Bump with Rubber Chassis



12108 YK K
Road Bump with Rubber Chassis



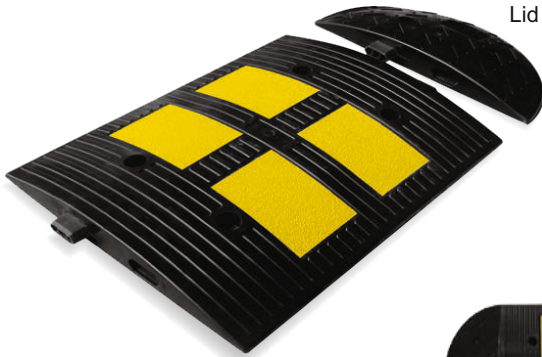
Type	Road Bump with Rubber Chassis	Lid for Road Bump with Rubber Chassis	12108 YK Reflective Tape Specifications	
Product code	12108 YK	12109 YK K	Minimum reflection values	Yellow
Size (LxWxH)	600x500x45	600x300x45	Angle of view	88,76°
Weight (approximately)	9.32 Kg	3.4 Kg	Angle of view	1,05
Material	PVC Compound			
Specifications	Reflective bank / warnings on both	-	Reflection value (mcd/m ² /lx)	500
Documentation	DIN EN ISO 9001:2008			
Practice	By attaching one another Ø18x190xØ10mm it can be applied onto the ground by screws and fixing plugs			



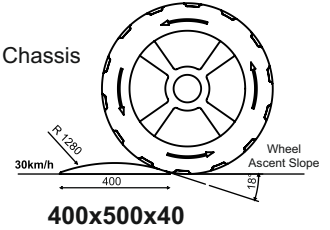
ENJOY THE FREEDOM OF BEING AT SAFETY

As you get to know our variety of road bump systems products; you will find that any solution you may need, is already included. So, please visit our website.

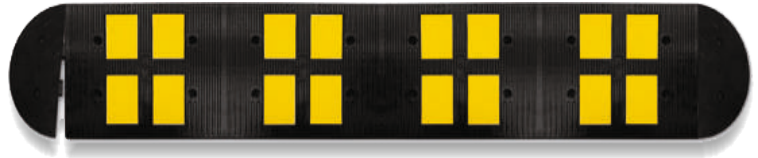
www.whiterose.com.tr



12111 YK K
Lid for Road Bump with Rubber Chassis

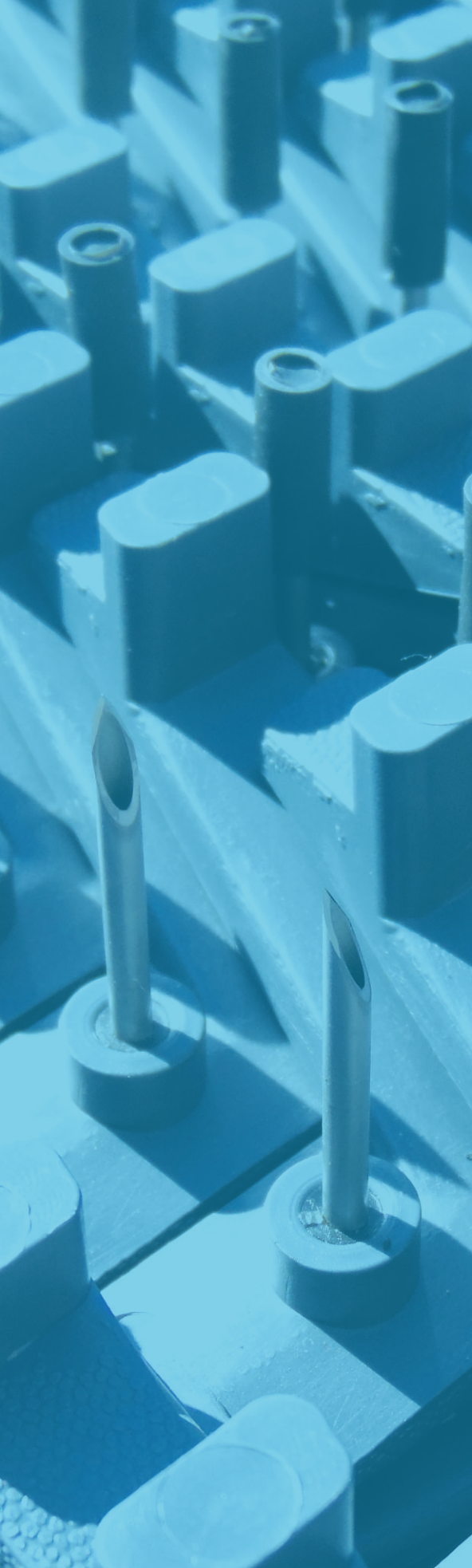


12110 YK K
Road Bump with Rubber Chassis



Type	Road Bump with Rubber Chassis	Lid for Road Bump with Rubber Chassis	12108 YK Reflective Tape Specifications	
Product code	12110 YK	12111 YK K	Minimum reflection values	Yellow
Size (LxWxH)	400x500x40	400x200x40	Angle of view	88,76°
Weight (approximately)	6.5 Kg	1.65 Kg	Angle of view	1,05
Material	PVC Compound		Reflection value (mcd/m ² /lx)	500
Specifications	Reflective bank / warnings on both	-		
Documentation	DIN EN ISO 9001:2008			
Practice	By attaching one another Ø18x190xØ10mm it can be applied onto the ground by screws and fixing plugs			





THE POWER
OF DETAILS
IS NOW
AT
YOUR SIDE







LET US GUARD
YOUR SAFETY,
YOU ENJOY
YOUR LIFE



Please Note: This brochure may contain typological errors or inaccuracies due to further modifications in product features. Some equipment illustrated or described here at the moment may be available at an additional fee. Before placing an order please get in touch with your authorized White dealer to provide you with the latest information. The manufacturer reserves the right to make changes to prices, colors, materials, specifications and models at any time, without notice.

WWW.WHITEROSE.COM.TR



Please read
for the product

A photograph showing a series of parallel, slanted metal bars (the trap system) installed on a tiled floor. The bars are arranged in a row, receding into the distance, creating a strong sense of perspective. The floor is made of light-colored, square tiles. The background is a plain, light-colored wall.

TRAP
SYSTEMS