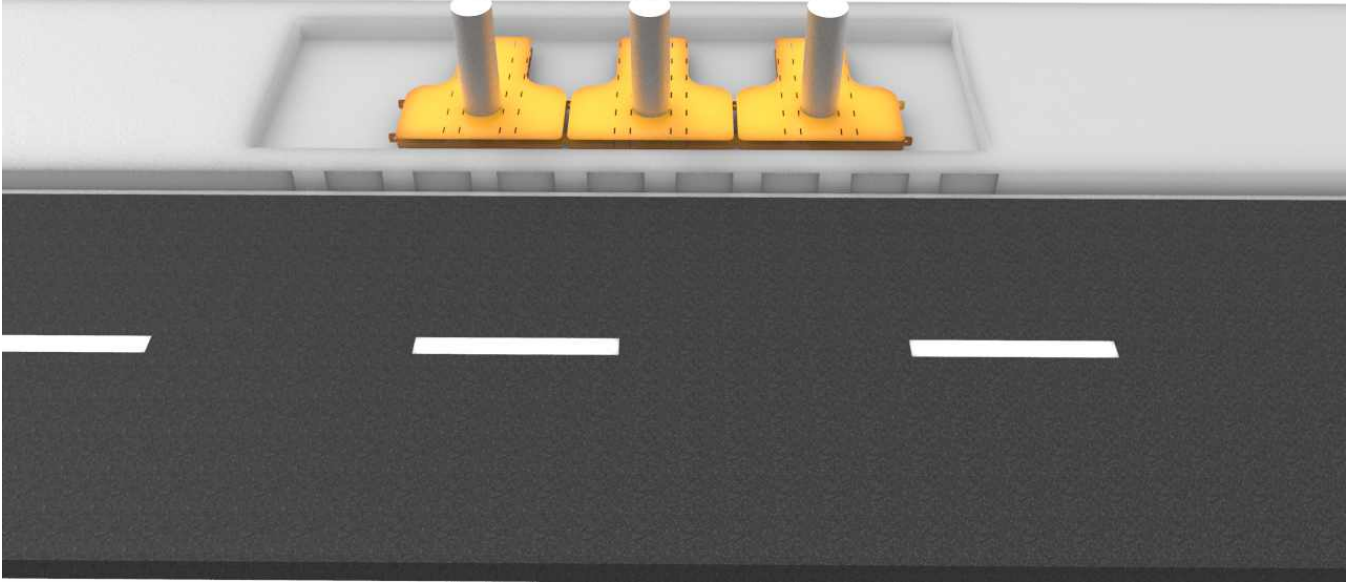


# SAFE SERIES FIXED BOLLARD BARRIER



Its used require security which fixed to the floor by stainless steel and durable construction

Safe series bollard barriers shows that perfect performance with vehicle assasination.

This product produced standards by moving parts elevation between 70 cm and 120 cm

Installation is done by digging a maximum of 24 cm in overall pavement superiors and constant places

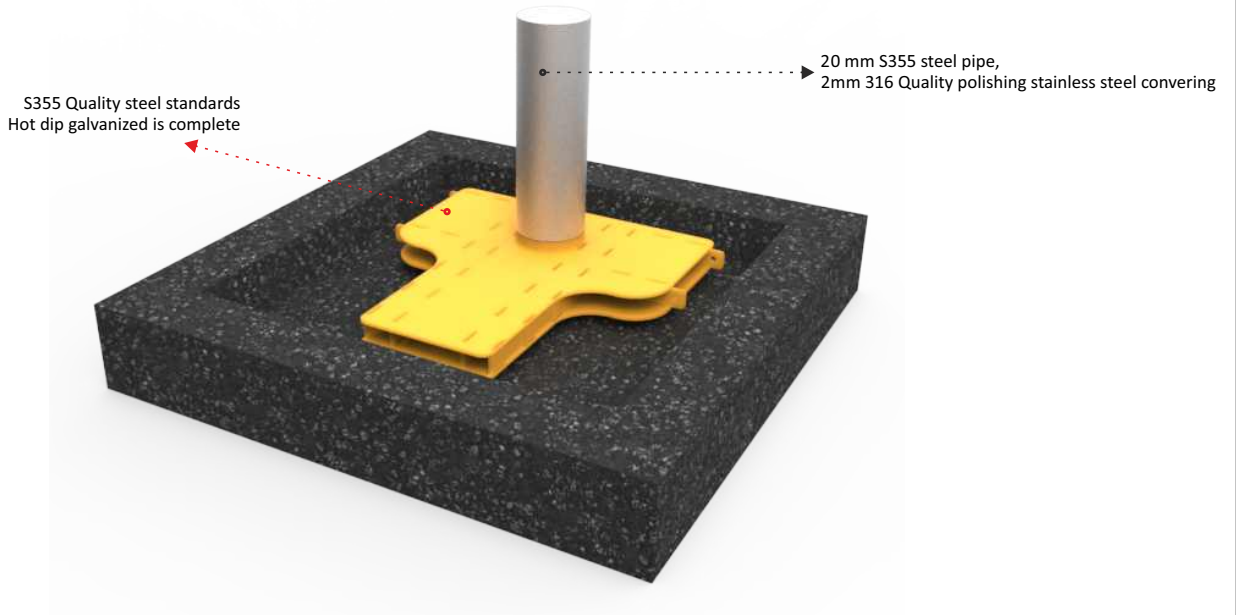
Bollard barrier skeleton system produced by used steel material so this system avoid life and property loss.

## General Information And Standards

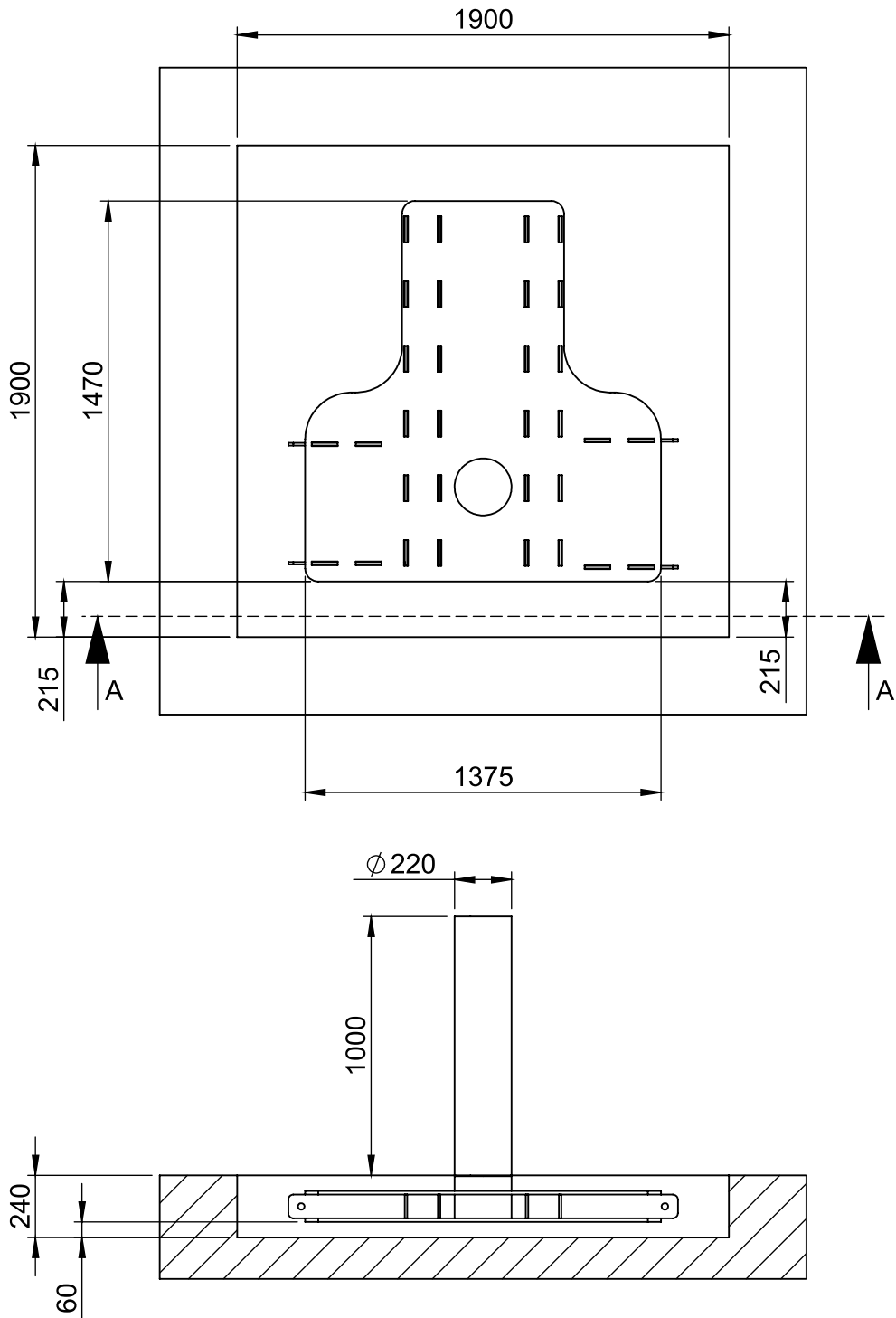
- ▶ S355 Quality steel standards
- ▶ Visual of bollard have 316 quality and with polishing stainless
- ▶ Complete dipping galvanisation
- ▶ Reinforced special skeletal system
- ▶ Bollard from interconnection
- ▶ 323 mm outer diameter
- ▶ 240 mm deep excavation
- ▶ Maximum 7.5 ton impact resistance



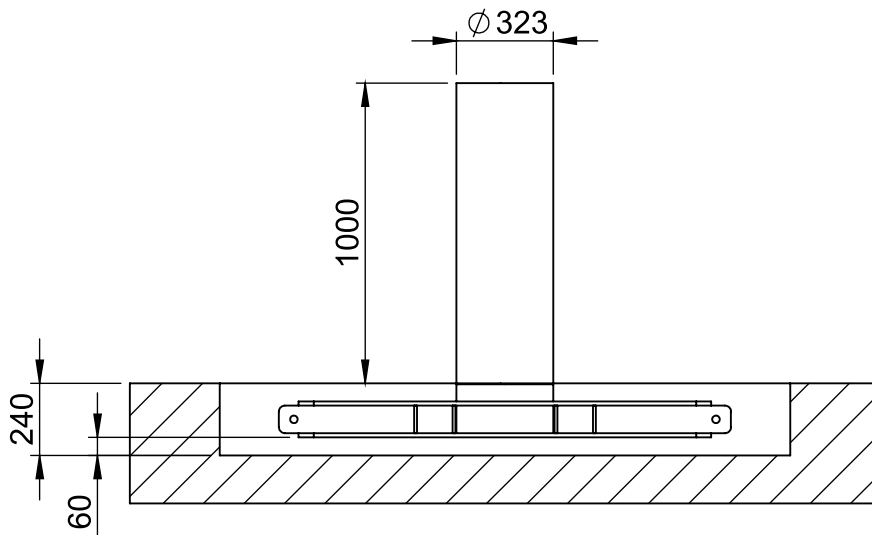
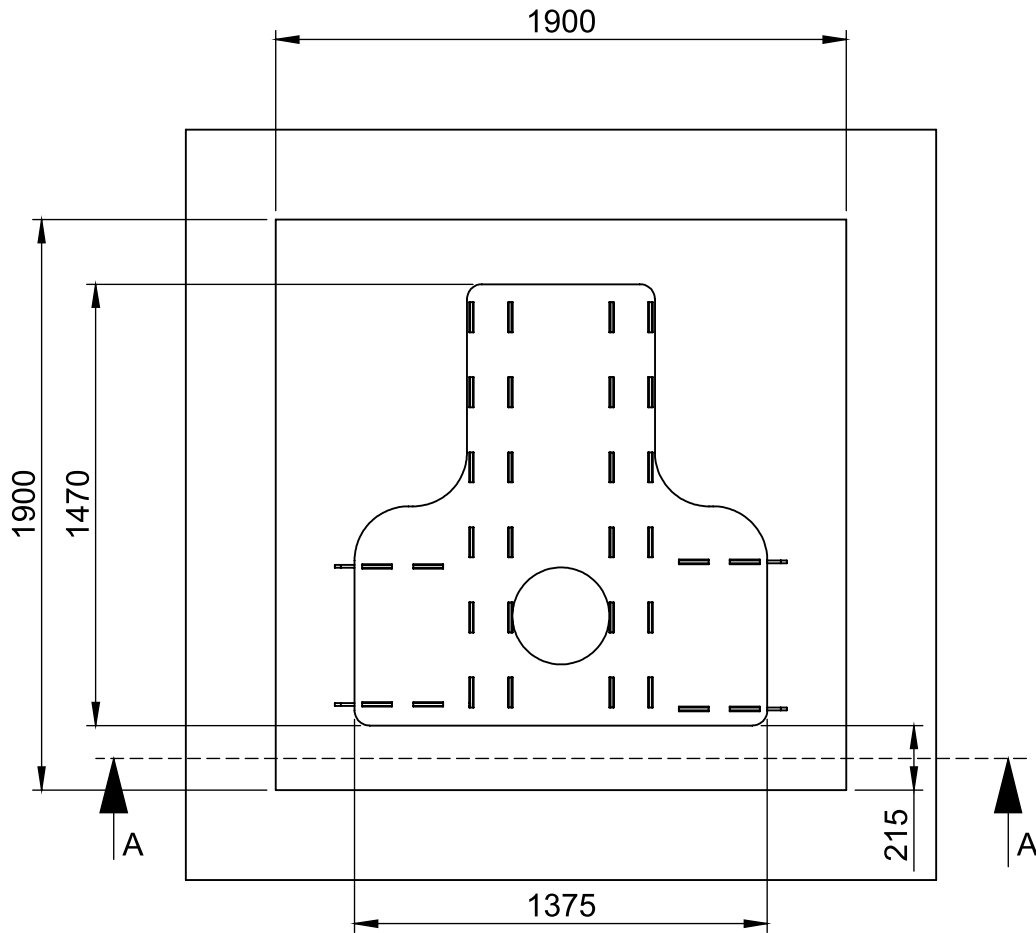
## Product Detail



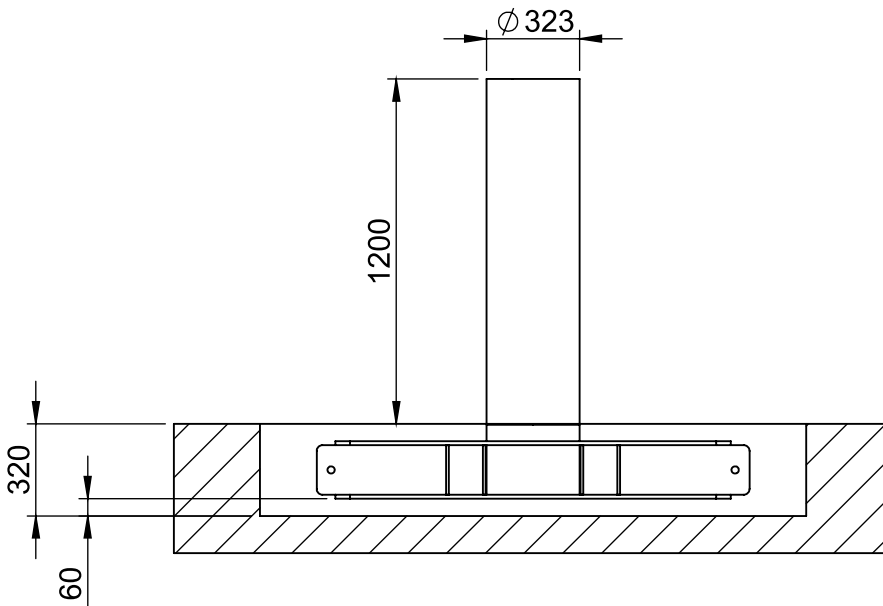
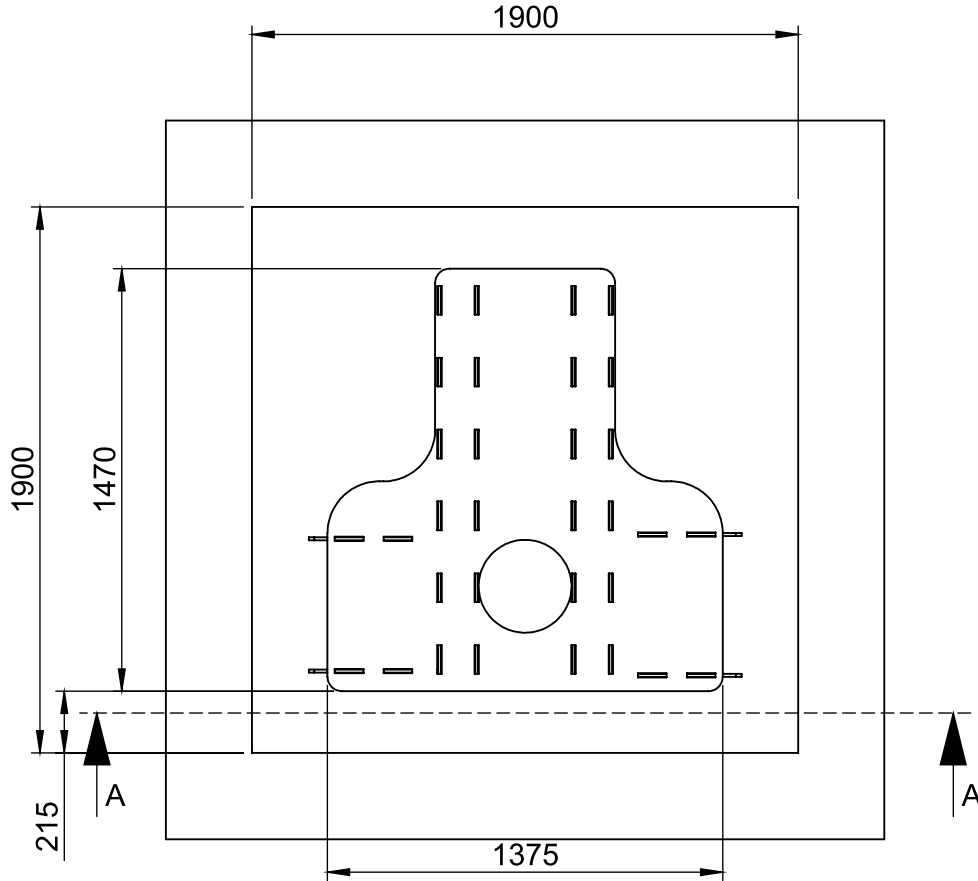
## Type A Dimensions



## Type B Dimensions



## Type B Dimensions



### ADRES

Organize Sanayi Bölgesi  
9. Cad. No. 1 KARAMAN, TR

T: 0 338 224 13 60

F: 0 338 224 14 46

M: whiterose@whiterose.com.tr

W: www.whiterose.com.tr