



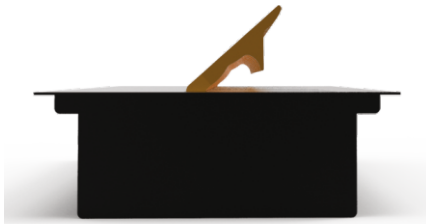
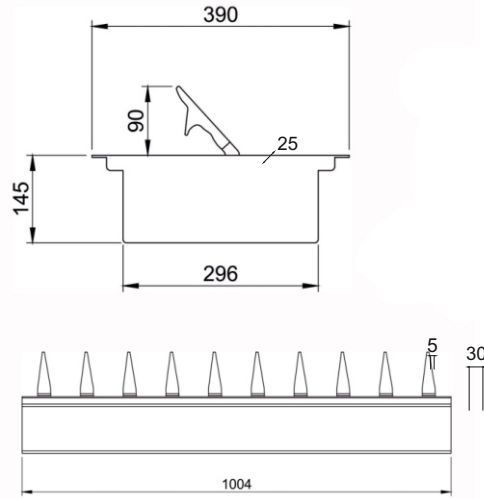
Manuel traps are manufactured in regard to the end user reference and requests by White Rose Automation Systems. Manuel traps are designed in a fashion that won't let reverse side entrance to the depots, sites, service ranges etc.

General Informations and Standards

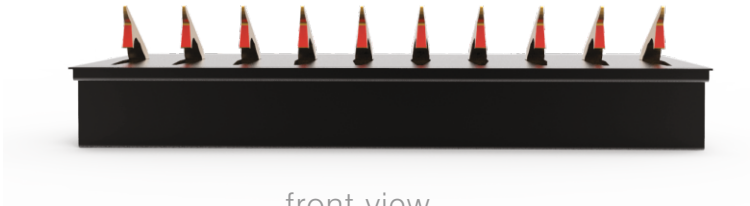
- ▶ Size; 1 m length
- ▶ Spikes Height 90mm when opened
- ▶ 15mm top sheet thickness
- ▶ 25mm blade thickness
- ▶ Specially designed claws for ripping the tire
- ▶ Sound absorbing seals
- ▶ Mechanical with the latch down mechanism
- ▶ Specially designed spike bedding for protecting from dirt



Dimensions



side view



front view



rear view