

## FORTE 150

### FLOOD LIGHT

#### Areas of application

- Construction Sites
- Stadiums
- Facades
- Parking Spaces
- Closed Spor Complexes
- Building Surroundings

#### Product benefits

- Efficient energy saving
- Elegant design
- Easy installation system
- Shallow mounting depth

#### Product Specifications

- Lifetime (L70/B50) : up to 50,000 h
- Color temperature : 2,700 K - 6,500 K
- Operating Voltage : 220...240 V AC supply
- Type of protection : IP67
- Surfaced mounting
- Led Type : Samsung
- Driver : Meanwell - Inventronics



IP 67



## Product datasheet

### Technical data

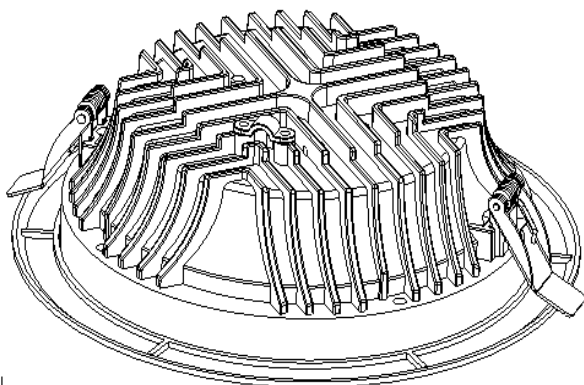
#### Electrical data

Nominal Wattage	150 W
Nominal Voltage	220 - 240 V
Power Factor	> 0.9
Lumen / Watt	145 lm/watt
Total Harmonic Distortion	< %20
Mains frequency	50...60 Hz

#### Photometrical data

Color temperature	2700 K - 6500 K
Luminous flux	21780 lm
Color rendering index Ra	> 80

#### Dimensions



Diameter	172.0 mm
Height	72.0 mm
Cut Size	

#### Colors & materials

Body material	Aluminum Die Cast
Product color	Electrostatic Powder Paint

Note : Product body paint can be ordered with other RAL codes.

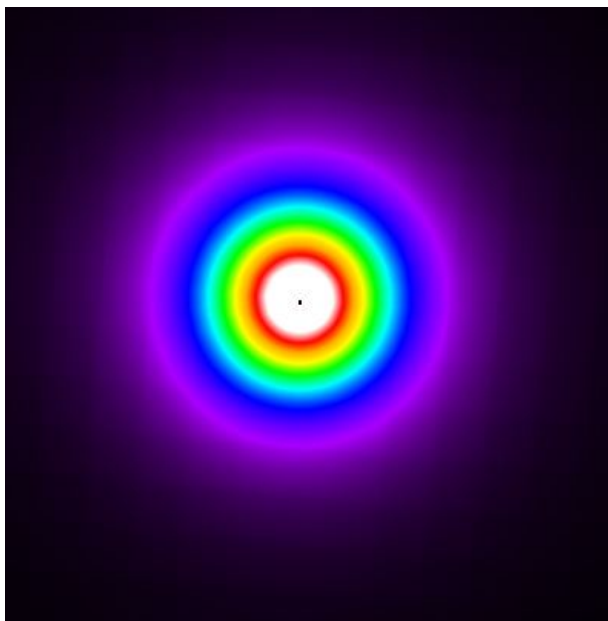
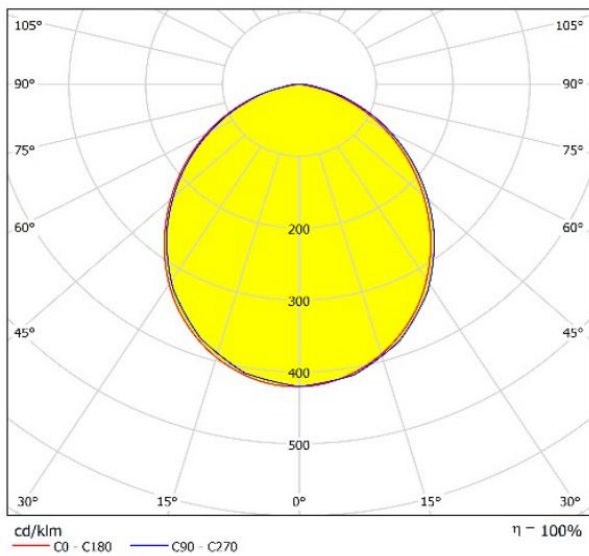
#### Temperatures & operating conditions

Ambient temperature range	-25 ... +85 °C
---------------------------	----------------

## Product datasheet

### Light Technical Data

Beam angle	wide distribution °
------------	---------------------



Type of cover	Solid PC
---------------	----------

### Capabilities

Type of installation	surfaced
Type of connection	cable, 3 x 1.50 mm <sup>2</sup>

### Certificates & standards

Protection class	insulation class I (safety insulation)
Type of protection	IP67