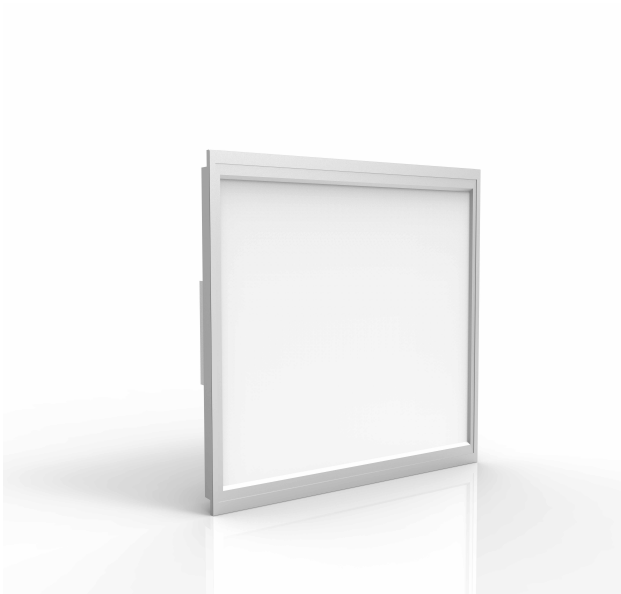


## ECO PANEL 30x30

### PANEL



#### Areas of application

- Comercial Buildings
- Industrial Kitchens
- Hospitals
- Stores
- Offices

#### Product benefits

- Efficient energy saving
- Elegant design
- Easy installation system
- Shallow mounting depth

#### Product specifications

- Lifetime (L70/B50) : up to 50,000 h
- Color temperature : 2,700 K - 6,500 K
- Operating voltage : 220...240 V AC supply
- Type of protection : IP20
- Recessed mounting
- Led type : Epistar
- Driver : Eaglerise



IP 20



## Product datasheet

### Technical data

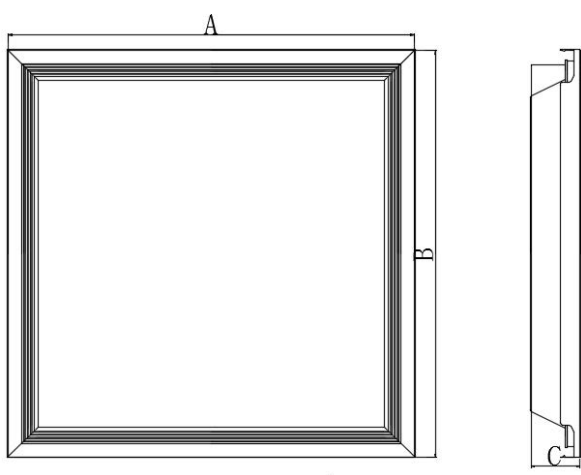
#### Electrical data

|                           |             |
|---------------------------|-------------|
| Nominal wattage           | 15 W        |
| Nominal voltage           | 220 - 240 V |
| Power factor              | > 0.9       |
| Lumen / Watt              | 70 lm/watt  |
| Total harmonic distortion | < %20       |
| Mains frequency           | 50...60 Hz  |

#### Photometrical data

|                          |                 |
|--------------------------|-----------------|
| Color temperature        | 2700 K - 6500 K |
| Luminous flux            | 1053 lm         |
| Color rendering index Ra | > 80            |

#### Dimensions



|   |        |
|---|--------|
| A | 300 mm |
| B | 300 mm |
| C | 44 mm  |

#### Colors & materials

|               |                 |
|---------------|-----------------|
| Body material | Aluminium - Abs |
| Product color | N/A             |

Note : Product body paint can be ordered with other RAL codes.

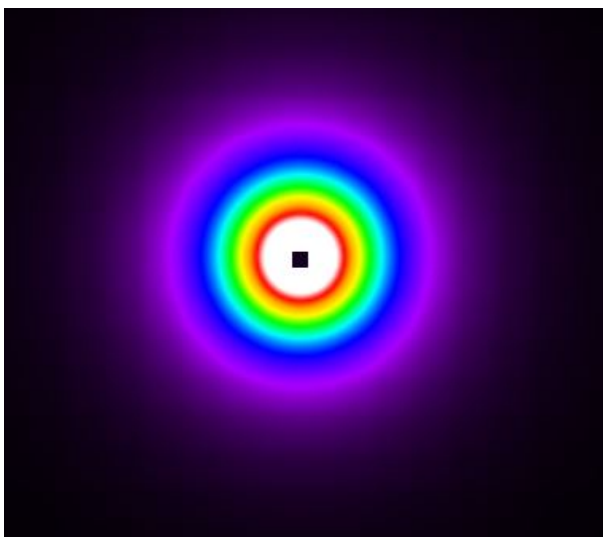
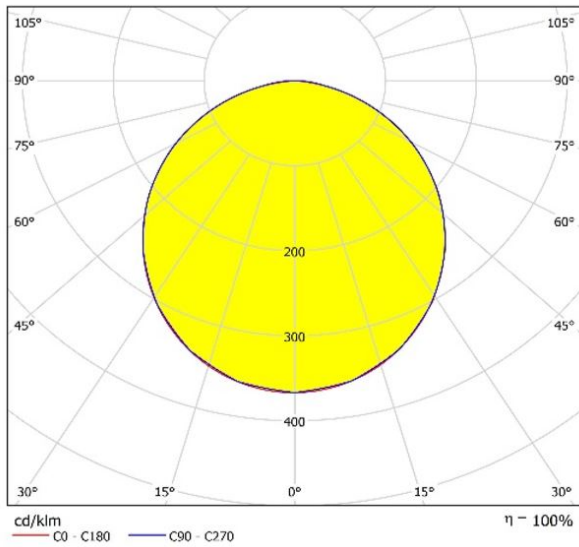
#### Temperatures & operating conditions

|                           |                |
|---------------------------|----------------|
| Ambient temperature range | -25 ... +85 °C |
|---------------------------|----------------|

# Product datasheet

## Light Technical Data

|            |                   |
|------------|-------------------|
| Beam angle | Wide distribution |
|------------|-------------------|



|               |                       |
|---------------|-----------------------|
| Type of cover | Opal acrylic diffuser |
|---------------|-----------------------|

### Capabilities

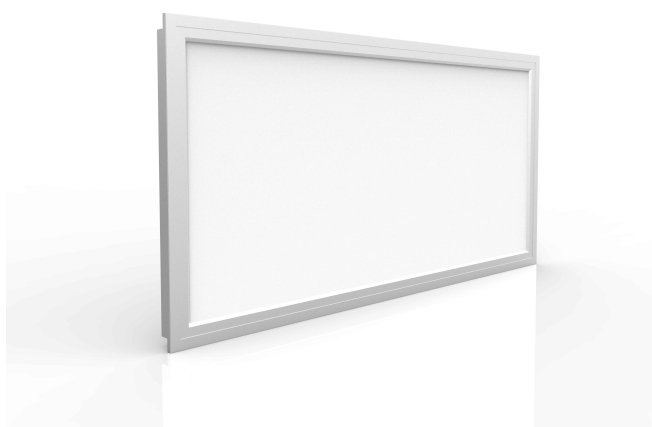
|                      |                                 |
|----------------------|---------------------------------|
| Type of installation | Recessed                        |
| Type of connection   | Cable, 2 x 0.50 mm <sup>2</sup> |

### Certificates & standards

|                    |  |
|--------------------|--|
| Protection class   | Insulation class I (safety insulation) |
| Type of protection | IP20                                   |

## ECO PANEL 30x60

### PANEL



#### Areas of application

- Comercial Buildings
- Industrial Kitchens
- Hospitals
- Stores
- Offices

#### Product benefits

- Efficient energy saving
- Elegant design
- Easy installation system
- Shallow mounting depth

#### Product specifications

- Lifetime (L70/B50) : up to 50,000 h
- Color temperature : 2,700 K - 6,500 K
- Operating voltage : 220...240 V AC supply
- Type of protection : IP20
- Recessed mounting
- Led type : Epistar
- Driver : Eaglerise



IP 20



# Product datasheet

## Technical data

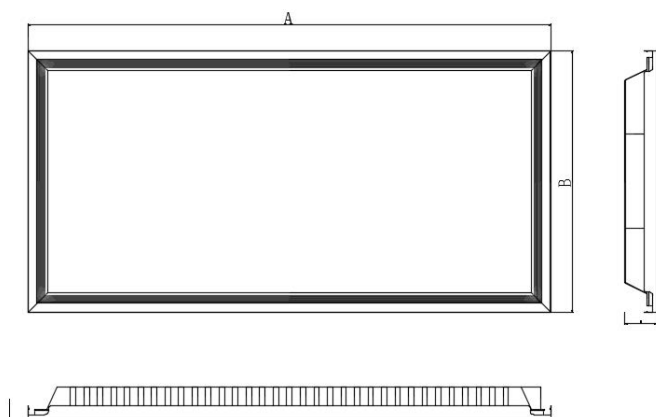
### Electrical data

|                           |             |
|---------------------------|-------------|
| Nominal wattage           | 20 W        |
| Nominal voltage           | 220 - 240 V |
| Power factor              | > 0.9       |
| Lumen / Watt              | 105 lm/watt |
| Total harmonic distortion | < %20       |
| Mains frequency           | 50...60 Hz  |

### Photometrical data

|                          |                 |
|--------------------------|-----------------|
| Color temperature        | 2700 K - 6500 K |
| Luminous flux            | 2106 lm         |
| Color rendering index Ra | > 80            |

### Dimensions



|   |        |
|---|--------|
| A | 600 mm |
| B | 300 mm |
| C | 44 mm  |

### Colors & materials

|               |                |
|---------------|----------------|
| Body material | Aluminum - Abs |
| Product color | N/A            |

Note : Product body paint can be ordered with other RAL codes.

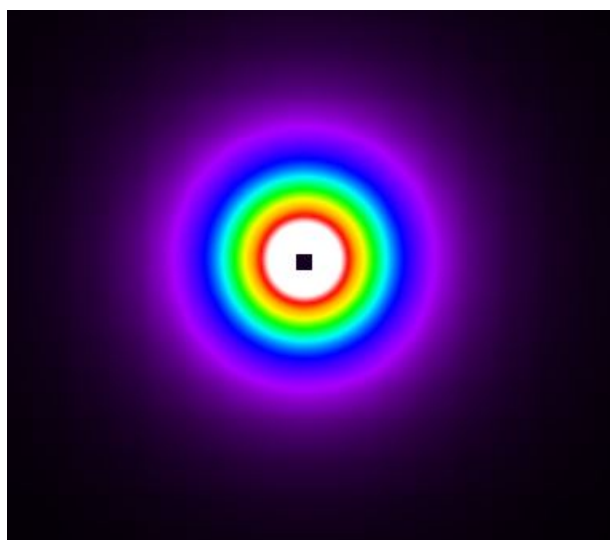
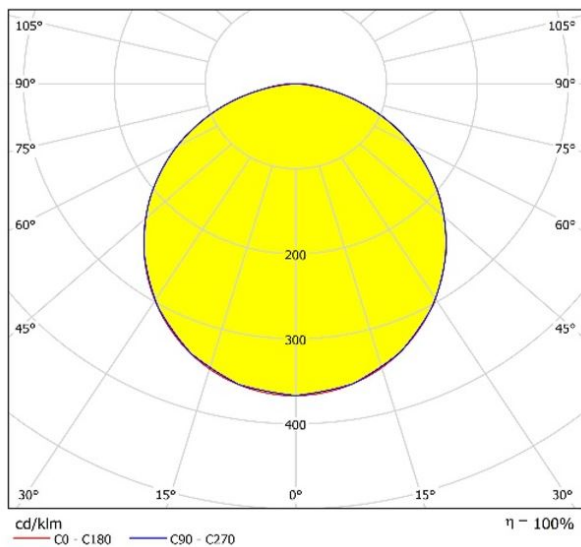
### Temperatures & operating conditions

|                           |                |
|---------------------------|----------------|
| Ambient temperature range | -25 ... +85 °C |
|---------------------------|----------------|

## Product datasheet

### Light Technical Data

|            |                   |
|------------|-------------------|
| Beam angle | Wide distribution |
|------------|-------------------|



|               |                       |
|---------------|-----------------------|
| Type of cover | Opal acrylic diffuser |
|---------------|-----------------------|

### Capabilities

|                      |                                 |
|----------------------|---------------------------------|
| Type of installation | Recessed                        |
| Type of connection   | Cable, 2 x 0.50 mm <sup>2</sup> |

### Certificates & standards

|                    |  |
|--------------------|--|
| Protection class   | Insulation class I (safety insulation) |
| Type of protection | IP20                                   |

## ECO PANEL 60x60

### PANEL



#### Areas of application

- Comercial Buildings
- Industrial Kitchens
- Hospitals
- Stores
- Offices

#### Product benefits

- Efficient energy saving
- Elegant design
- Easy installation system
- Shallow mounting depth

#### Product specifications

- Lifetime (L70/B50) : up to 50,000 h
- Color temperature : 2,700 K - 6,500 K
- Operating voltage : 220...240 V AC supply
- Type of protection : IP20
- Surfaced mounting
- Led type : Epistar
- Driver : Eaglerise



IP 20



## Product datasheet

---

### Technical data

#### Electrical data

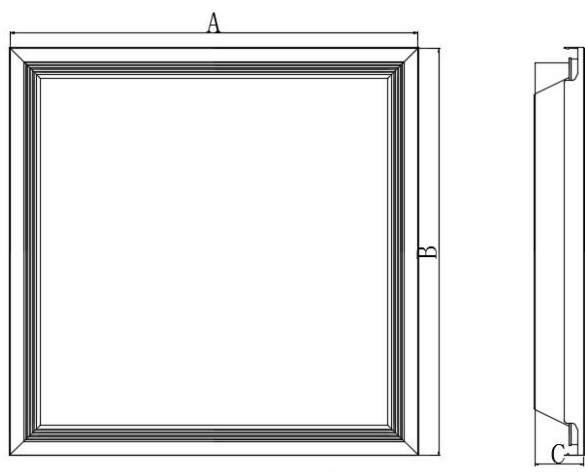
|                           |             |
|---------------------------|-------------|
| Nominal wattage           | 42 W        |
| Nominal voltage           | 220 - 240 V |
| Power factor              | > 0.9       |
| Lumen / Watt              | 100 lm/watt |
| Total harmonic distortion | < %20       |
| Mains frequency           | 50...60 Hz  |

#### Photometrical data

|                          |                 |
|--------------------------|-----------------|
| Color temperature        | 2700 K - 6500 K |
| Luminous flux            | 4212 lm         |
| Color rendering index Ra | > 80            |

#### Dimensions

---



|   |        |
|---|--------|
| A | 600 mm |
| B | 600 mm |
| C | 44 mm  |

#### Colors & materials

|               |                |
|---------------|----------------|
| Body material | Aluminum - Abs |
| Product color | N/A            |

Note : Product body paint can be ordered with other RAL codes.

#### Temperatures & operating conditions

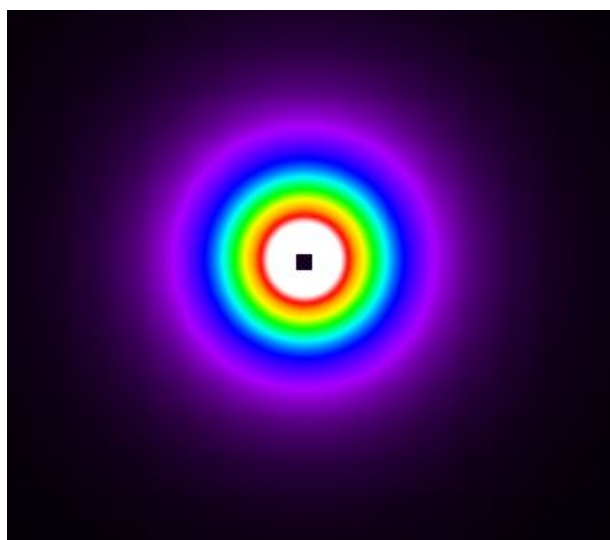
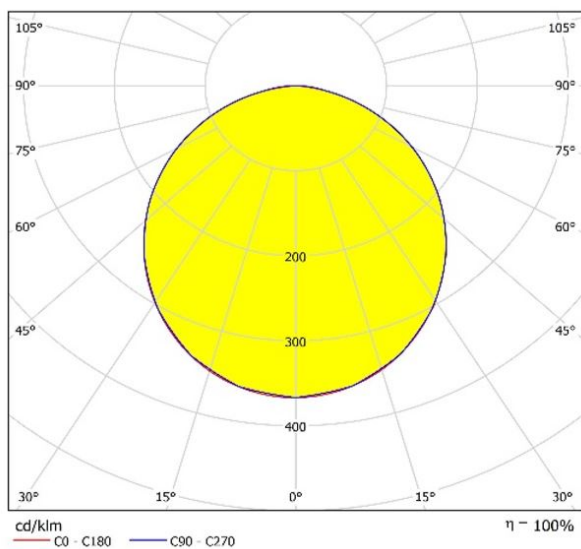
|                           |                |
|---------------------------|----------------|
| Ambient temperature range | -25 ... +85 °C |
|---------------------------|----------------|



# Product datasheet

## Light Technical Data

|                   |                   |
|-------------------|-------------------|
| <b>Beam angle</b> | Wide distribution |
|-------------------|-------------------|



|                      |                       |
|----------------------|-----------------------|
| <b>Type of cover</b> | Opal acrylic diffuser |
|----------------------|-----------------------|

### Capabilities

|                             |                                 |
|-----------------------------|---------------------------------|
| <b>Type of installation</b> | Recessed                        |
| <b>Type of connection</b>   | Cable, 2 x 0.50 mm <sup>2</sup> |

### Certificates & standards

|                           |  |
|---------------------------|--|
| <b>Protection class</b>   | Insulation class I (safety insulation) |
| <b>Type of protection</b> | IP20                                   |

## ECO PANEL 30x30

### PANEL



#### Areas of application

- Comercial Buildings
- Industrial Kitchens
- Hospitals
- Stores
- Offices

#### Product benefits

- Efficient energy saving
- Elegant design
- Easy installation system

#### Product specifications

- Lifetime (L70/B50) : up to 50,000 h
- Color temperature : 2,700 K - 6,500 K
- Operating voltage : 220...240 V AC supply
- Type of protection : IP20
- Surfaced mounting
- Led type : Epistar
- Driver : Eaglerise



IP 20



# Product datasheet

## Technical data

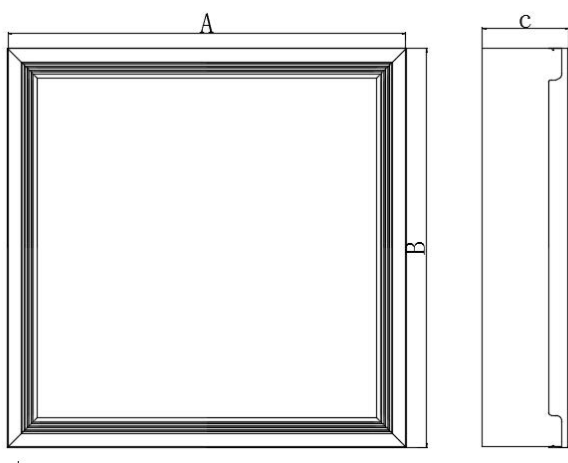
### Electrical data

|                           |             |
|---------------------------|-------------|
| Nominal wattage           | 15 W        |
| Nominal voltage           | 220 - 240 V |
| Power factor              | > 0.9       |
| Lumen / Watt              | 70 lm/watt  |
| Total harmonic distortion | < %20       |
| Mains frequency           | 50...60 Hz  |

### Photometrical data

|                          |                 |
|--------------------------|-----------------|
| Color temperature        | 2700 K - 6500 K |
| Luminous flux            | 1053 lm         |
| Color rendering index Ra | > 80            |

### Dimensions



|   |        |
|---|--------|
| A | 300 mm |
| B | 300 mm |
| C | 88 mm  |

### Colors & materials

|               |                 |
|---------------|-----------------|
| Body material | Aluminium - Abs |
| Product color | N/A             |

Note : Product body paint can be ordered with other RAL codes.

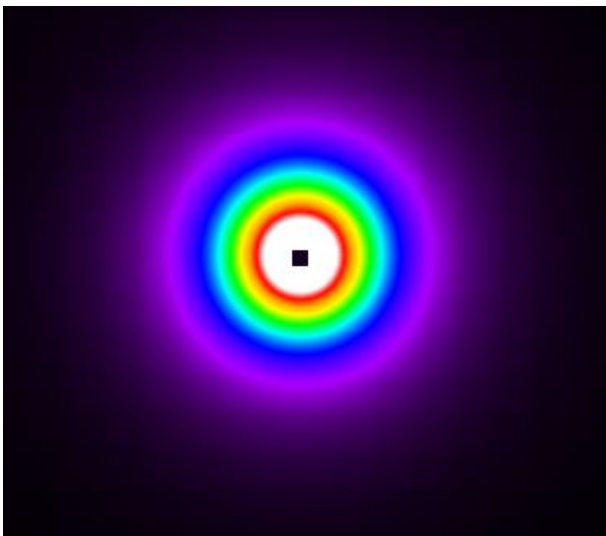
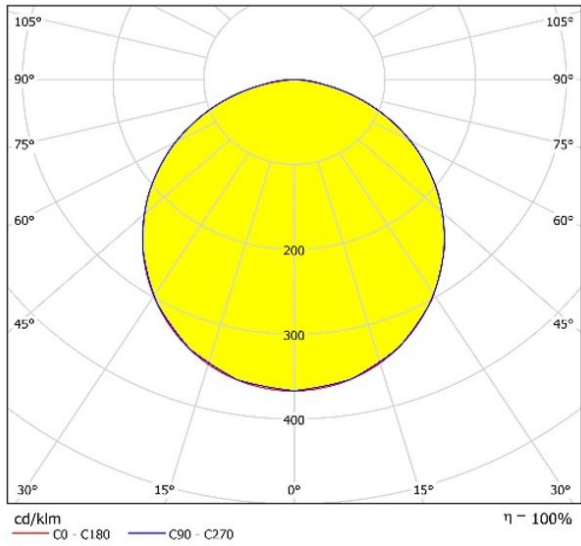
### Temperatures & operating conditions

|                           |                |
|---------------------------|----------------|
| Ambient temperature range | -25 ... +85 °C |
|---------------------------|----------------|

# Product datasheet

## Light Technical Data

|                   |                   |
|-------------------|-------------------|
| <b>Beam angle</b> | Wide distribution |
|-------------------|-------------------|



|                      |                        |
|----------------------|------------------------|
| <b>Type of cover</b> | Opal arcyclic diffuser |
|----------------------|------------------------|

### Capabilities

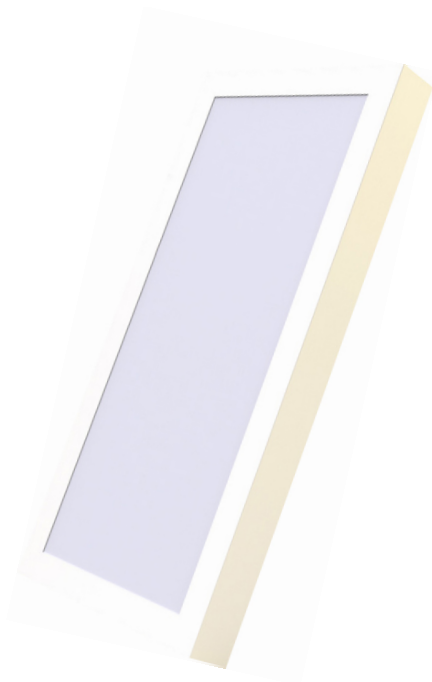
|                             |                                 |
|-----------------------------|---------------------------------|
| <b>Type of installation</b> | Surfaced                        |
| <b>Type of connection</b>   | Cable, 2 x 0.50 mm <sup>2</sup> |

### Certificates & standards

|                           |  |
|---------------------------|--|
| <b>Protection class</b>   | Insulation class I (safety insulation) |
| <b>Type of protection</b> | IP20                                   |

## ECO PANEL 30x60

### PANEL



#### Areas of application

- Comercial Buildings
- Industrial Kitchens
- Hospitals
- Stores
- Offices

#### Product benefits

- Efficient energy saving
- Elegant design
- Easy installation system

#### Product specifications

- Lifetime (L70/B50) : up to 50,000 h
- Color temperature : 2,700 K - 6,500 K
- Operating voltage : 220...240 V AC supply
- Type of protection : IP20
- Surfaced mounting
- Led type : Epistar
- Driver : Eaglerise



IP 20



## Product datasheet

---

### Technical data

#### Electrical data

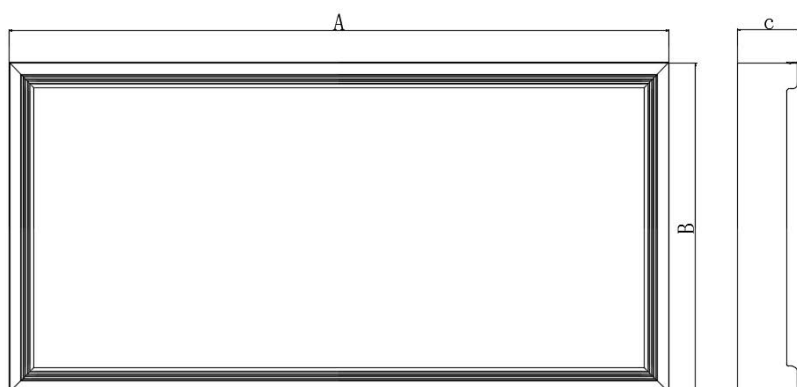
|                           |             |
|---------------------------|-------------|
| Nominal wattage           | 20 W        |
| Nominal voltage           | 220 - 240 V |
| Power factor              | > 0.9       |
| Lumen / Watt              | 105 lm/watt |
| Total harmonic distortion | < %20       |
| Mains frequency           | 50...60 Hz  |

#### Photometrical data

|                          |                 |
|--------------------------|-----------------|
| Color temperature        | 2700 K - 6500 K |
| Luminous flux            | 2106 lm         |
| Color rendering index Ra | > 80            |

#### Dimensions

---



|   |        |
|---|--------|
| A | 600 mm |
| B | 300 mm |
| C | 88 mm  |

#### Colors & materials

|               |                |
|---------------|----------------|
| Body material | Aluminum - Abs |
| Product color | N/A            |

Note : Product body paint can be ordered with other RAL codes.

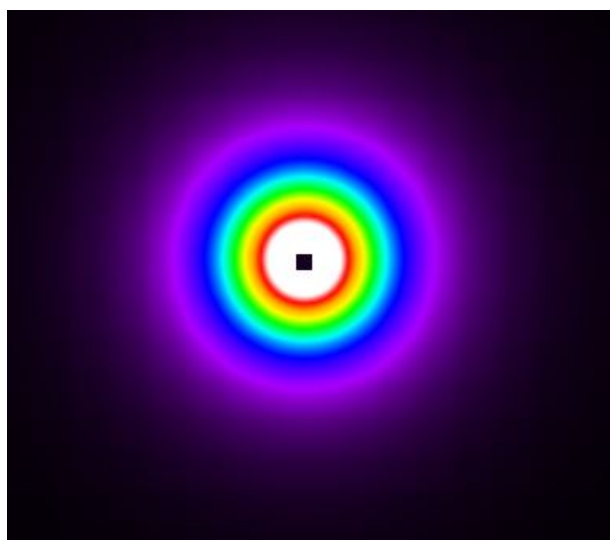
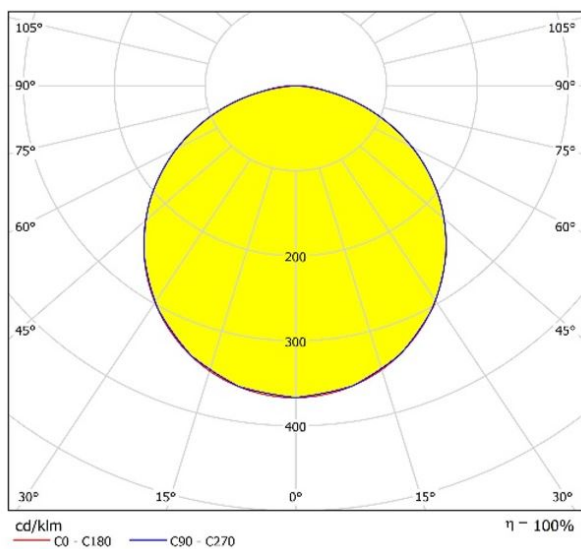
#### Temperatures & operating conditions

|                           |                |
|---------------------------|----------------|
| Ambient temperature range | -25 ... +85 °C |
|---------------------------|----------------|

# Product datasheet

## Light Technical Data

|            |                   |
|------------|-------------------|
| Beam angle | Wide distribution |
|------------|-------------------|



|               |                       |
|---------------|-----------------------|
| Type of cover | Opal acrylic diffuser |
|---------------|-----------------------|

### Capabilities

|                      |                                 |
|----------------------|---------------------------------|
| Type of installation | Surfaced                        |
| Type of connection   | Cable, 2 x 0.50 mm <sup>2</sup> |

### Certificates & standards

|                    |  |
|--------------------|--|
| Protection class   | Insulation class I (safety insulation) |
| Type of protection | IP20                                   |

## ECO PANEL 60x60 SIVA ÜSTÜ PANEL



### Areas of application

- Comercial Buildings
- Industrial Kitchens
- Hospitals
- Stores
- Offices

### Product benefits

- Efficient energy saving
- Elegant design
- Easy installation system

### Product specifications

- Lifetime (L70/B50) : up to 50,000 h
- Color temperature : 2,700 K - 6,500 K
- Operating voltage : 220...240 V AC supply
- Type of protection : IP20
- Surfaced mounting
- Led type : Epistar
- Driver : Eaglerise



IP 20





# Product datasheet

## Technical data

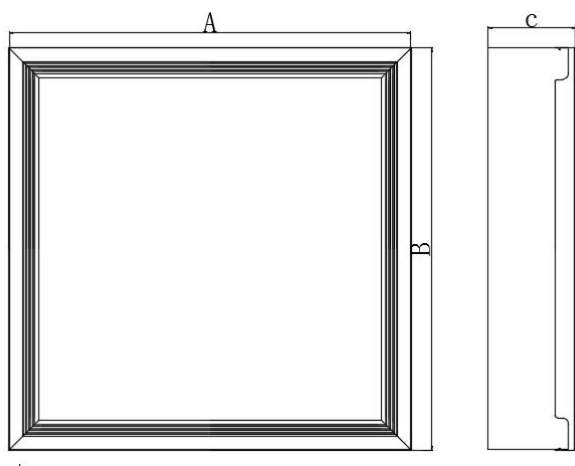
### Electrical data

|                           |             |
|---------------------------|-------------|
| Nominal wattage           | 42 W        |
| Nominal voltage           | 220 - 240 V |
| Power factor              | > 0.9       |
| Lumen / Watt              | 100 lm/watt |
| Total harmonic distortion | < %20       |
| Mains frequency           | 50...60 Hz  |

### Photometrical data

|                          |                 |
|--------------------------|-----------------|
| Color temperature        | 2700 K - 6500 K |
| Luminous flux            | 4212 lm         |
| Color rendering index Ra | > 80            |

### Dimensions



|   |        |
|---|--------|
| A | 600 mm |
| B | 600 mm |
| C | 88 mm  |

### Colors & materials

|               |                |
|---------------|----------------|
| Body material | Aluminum - Abs |
| Product color | N/A            |

Note : Product body paint can be ordered with other RAL codes.

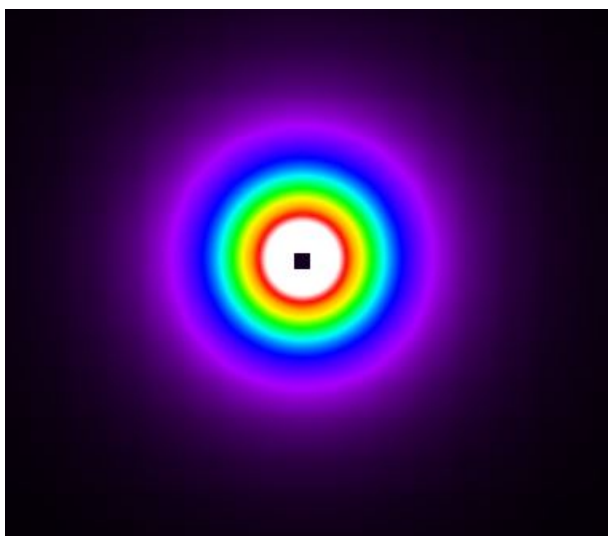
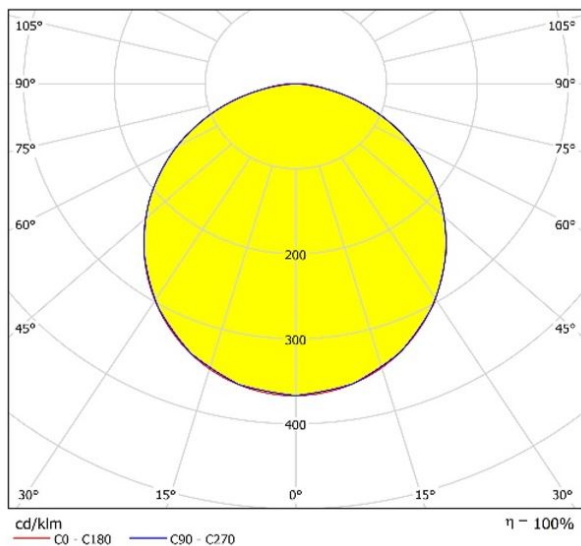
### Temperatures & operating conditions

|                           |                |
|---------------------------|----------------|
| Ambient temperature range | -25 ... +85 °C |
|---------------------------|----------------|

## Product datasheet

### Light Technical Data

|            |                   |
|------------|-------------------|
| Beam angle | Wide distribution |
|------------|-------------------|



|               |                       |
|---------------|-----------------------|
| Type of cover | Opal acrylic diffuser |
|---------------|-----------------------|

### Capabilities

|                      |                                 |
|----------------------|---------------------------------|
| Type of installation | Surfaced                        |
| Type of connection   | Cable, 2 x 0.50 mm <sup>2</sup> |

### Certificates & standards

|                    |  |
|--------------------|--|
| Protection class   | Insulation class I (safety insulation) |
| Type of protection | IP20                                   |