

## ECOLUX INDUSTRIAL

### Areas of application

- Industrial Areas
- Closed High Bay
- Outdoor Workshops
- Closed Warehouses
- Closed Spor Complex
- Stores
- Restaurants and Cafes

### Product benefits

- Efficient energy saving
- Elegant design
- Easy installation system

### Product Specifications

- Lifetime (L70/B50) : up to 50,000 h
- Color temperature : 2,700 K - 6,500 K
- Operating Voltage : 220...240 V AC supply
- Type of protection : IP54
- Surface mounting
- Led Type : Samsung
- Driver : Philips - Meanwell - Eaglerice



IP 54



## Product datasheet

### Technical data

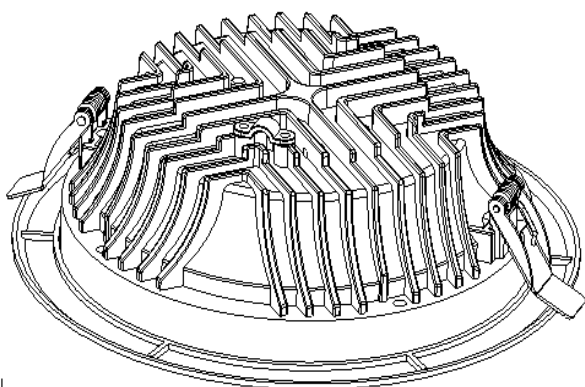
#### Electrical data

Nominal Wattage	42 W
Nominal Voltage	220 - 240 V
Power Factor	>0.9
Lumen / Watt	115 lm/watt
Total Harmonic Distortion	>%20
Mains frequency	50..60 Hz

#### Photometrical data

Color temperature	2700 K - 6500 K
Luminous flux	4837 lm
Color rendering index Ra	>80

#### Dimensions



Diameter	172.0 mm
Height	72.0 mm
Cut Size	

#### Colors & materials

Body material	Aluminum Die Cast
Product color	Electrostatic Powder Paint

Note : Product body paint can be ordered with other RAL codes.

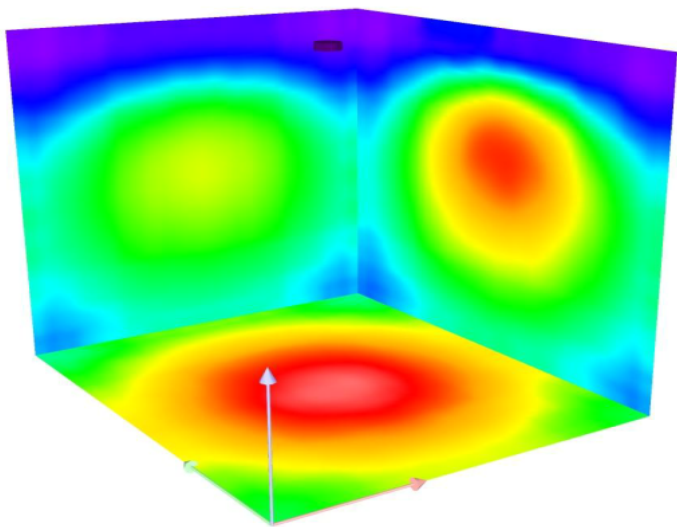
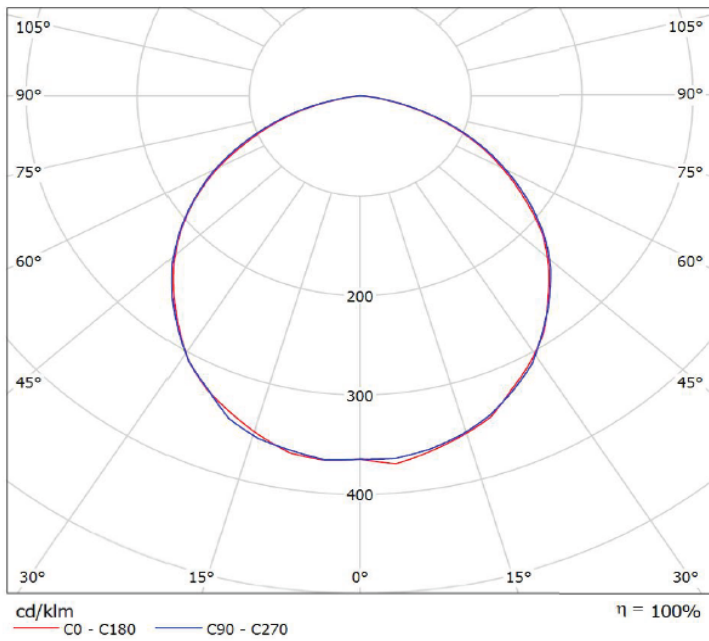
#### Temperatures & operating conditions

Ambient temperature range	-25 ... +85 °C
---------------------------	----------------

# Product datasheet

## Light Technical Data

<b>Beam angle</b>	wide distribution °
-------------------	---------------------



<b>Type of cover</b>	PC Diffuser
----------------------	-------------

### Capabilities

<b>Type of installation</b>	surface
<b>Type of connection</b>	cable, 3 x 0.75mm <sup>2</sup>

### Certificates & standards

<b>Protection class</b>	insulation class I (safety insulation)
<b>Type of protection</b>	IP54