

## ECOBİEN

### INDUSTRIAL

#### Areas of application

- Industrial Plants
- Closed Carparks
- Plant Workshops
- Closed Warehouses
- Closed Spor Complex
- Stores
- Restaurants and Cafes

#### Product benefits

- Efficient energy saving
- Elegant design
- Easy installation system
- Shallow mounting depth

#### Product Specifications

- Lifetime (L70/B50) : up to 50,000 h
- Color temperature : 2,700 K - 6,500 K
- Operating Voltage : 220...240 V AC supply
- Type of protection : IP67
- Surfaced mounting
- Led Type : Samsung
- Driver : Meanwell - Inventronics



## Product datasheet

### Technical data

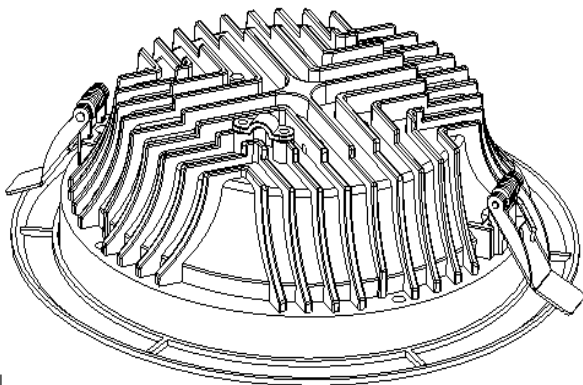
#### Electrical data

Nominal Wattage	100 W
Nominal Voltage	220 - 240 V
Power Factor	> 0.95
Lumen / Watt	137 lm/watt
Total Harmonic Distortion	< %20
Mains frequency	50...60 Hz

#### Photometrical data

Color temperature	2700 K - 6500 K
Luminous flux	13728 lm
Color rendering index Ra	> 80

#### Dimensions



Diameter	172.0 mm
Height	72.0 mm
Cut Size	

#### Colors & materials

Body material	Aluminum Die Cast
Product color	Electrostatic Powder Paint

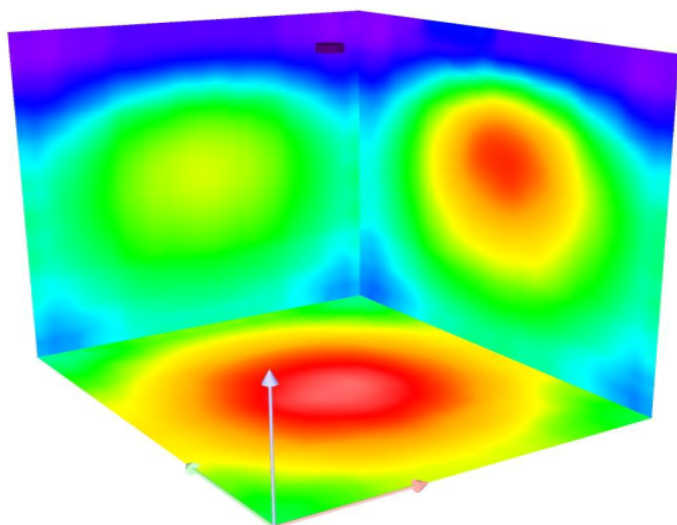
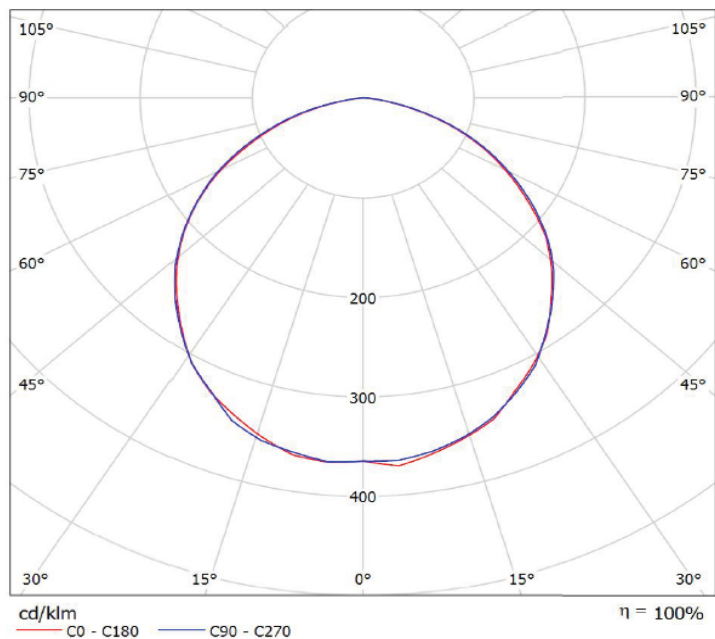
Note : Product body paint can be ordered with other RAL codes.

#### Temperatures & operating conditions

Ambient temperature range	-25 ... +85 °C
---------------------------	----------------

**Light Technical Data**

<b>Beam angle</b>	wide distribution ° - narrow distribution
-------------------	---



<b>Type of cover</b>	PC
----------------------	----

**Capabilities**

<b>Type of installation</b>	surfaced
<b>Type of connection</b>	cable, 3 x 1.50 mm <sup>2</sup>

**Certificates & standards**

<b>Protection class</b>	insulation class I (safety insulation)
<b>Type of protection</b>	IP67