

Selam 8 “

DOWNLIGHT

Areas of application

- Compatible with standard suspended ceilings
- Replacement for downlight applications with compact fluorescent lamps
- Corridors
- Foyers
- Lobbies
- Shops
- Offices

Product benefits

- Efficient energy saving
- Elegant design
- Easy installation system
- Shallow mounting depth

Product Specifications

- Lifetime (L70/B50) : up to 50,000 h
- Color temperature : 2,700 K - 6,500 K
- Operating Voltage : 220...240 V AC supply
- Type of protection : IP20
- Recessed ceiling mounting
- Led Type : Samsung - Osram
- Driver : Philips - Meanwell - Eaglerice



Product datasheet

Technical data

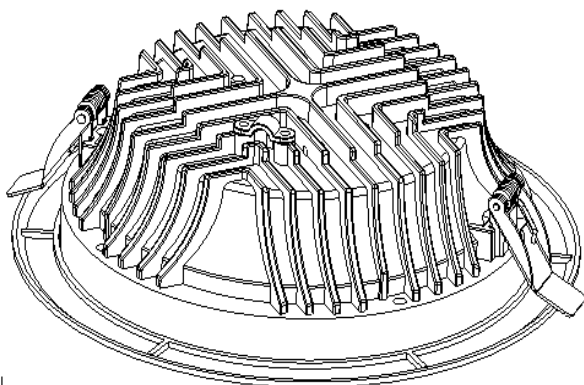
Electrical data

Nominal Wattage	23 W
Nominal Voltage	220 - 240 V
Power Factor	>0.9
Lumen / Watt	109 lm/watt
Total Harmonic Distortion	>%20
Mains frequency	50..60 Hz

Photometrical data

Color temperature	2700 K - 6500 K
Luminous flux	2494 lm
Color rendering index Ra	>80

Dimensions



Diameter	172.0 mm
Height	72.0 mm
Cut Size	

Colors & materials

Body material	Aluminum Die Cast
Product color	Electrostatic Powder Paint

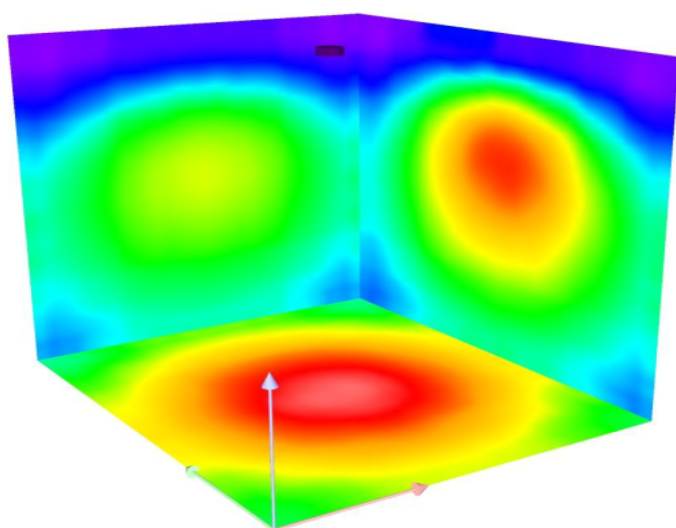
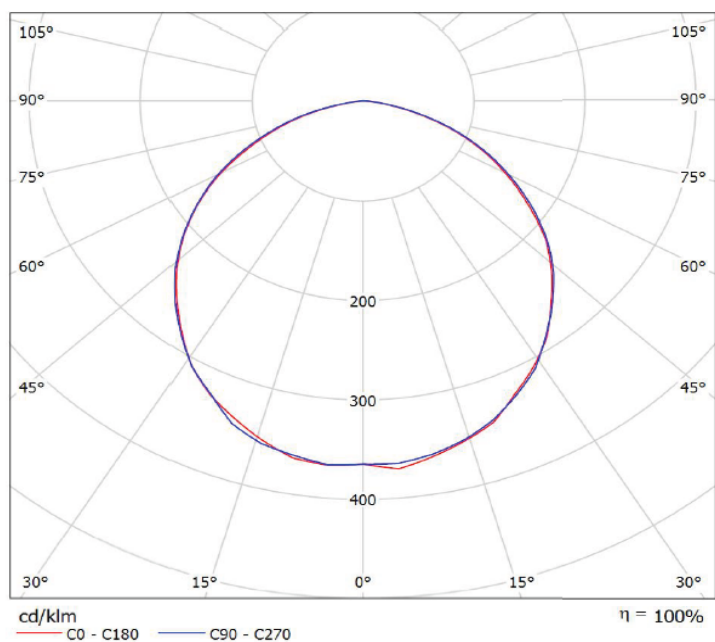
Note : Product body paint can be ordered with other RAL codes.

Temperatures & operating conditions

Ambient temperature range	-25 ... +85 °C
---------------------------	----------------

Light Technical Data

Beam angle	wide distribution °
-------------------	---------------------



Type of cover	Opal Arcyclic Diffuser
----------------------	------------------------

Capabilities

Type of installation	recessed
Type of connection	cable, 2x 0.50mm ²

Certificates & standards

Protection class	insulation class I (safety insulation)
Type of protection	IP20